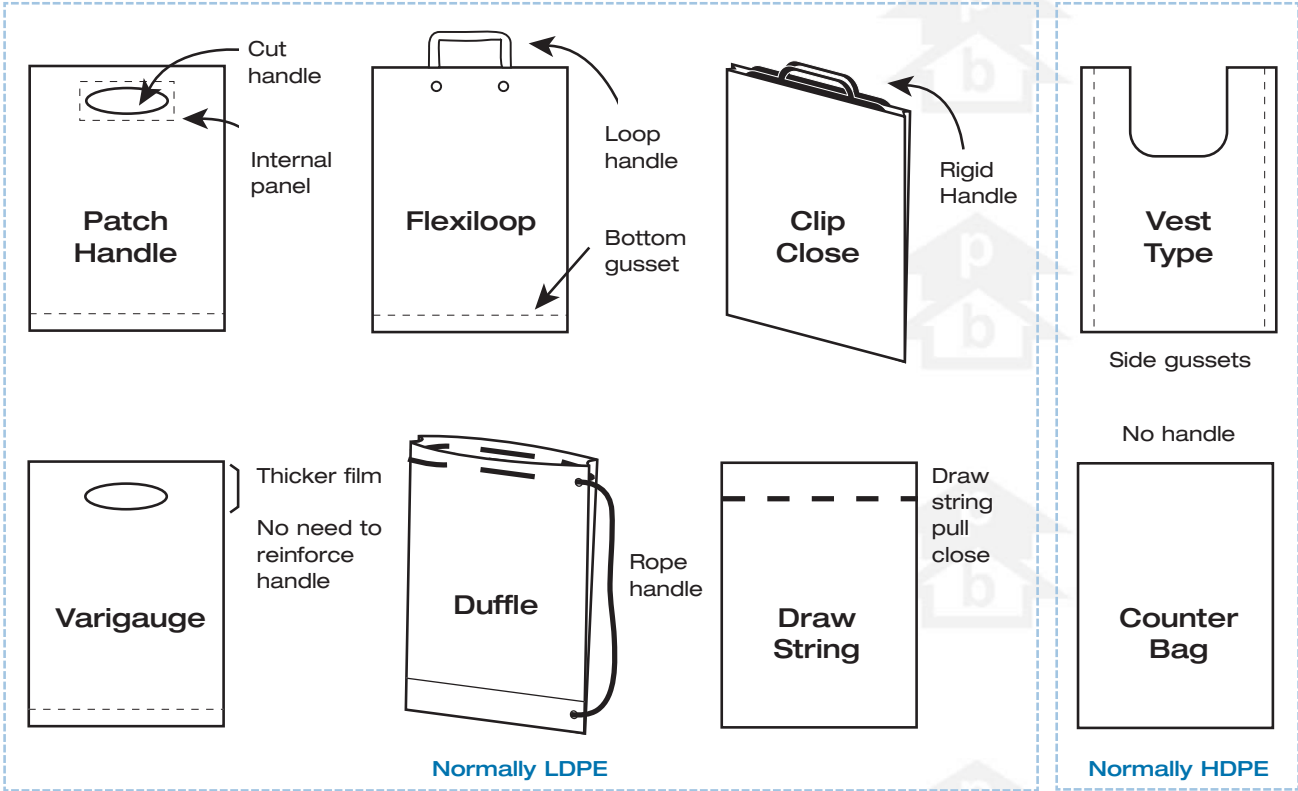


Polybags Limited

Lyon Way, Greenford,
Middlesex UB6 0AQ
t. 020 8575 8200
f. 020 8578 2247
www.polybags.co.uk

POLYBAGS CARRIER PRODUCT SHEET



Standard base material colours

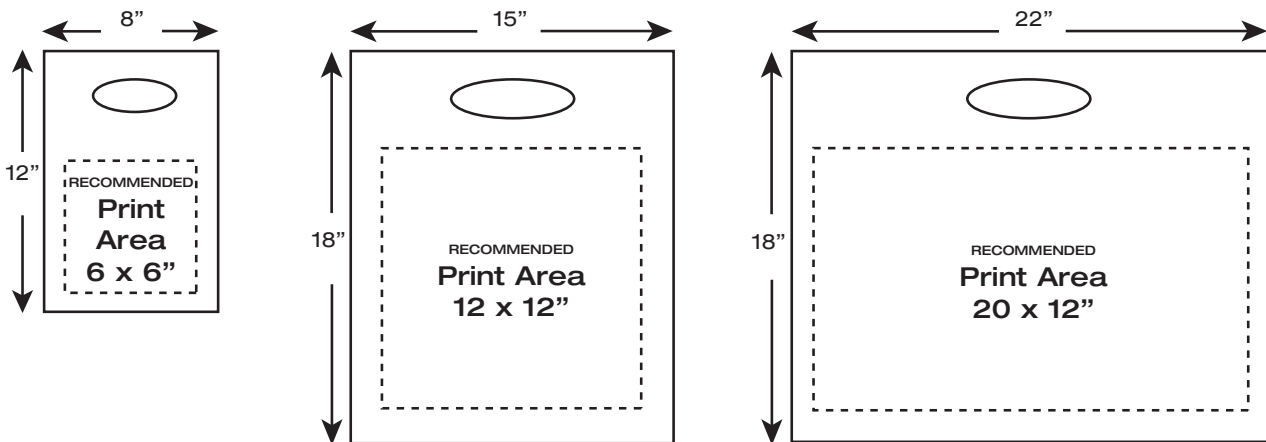
Clear / White / Frosted / Yellow / Grey / Silver / Red / Blue / Ivory / Burgundy / Harrods Green / Gold / Black

Standard Pantone ink colours

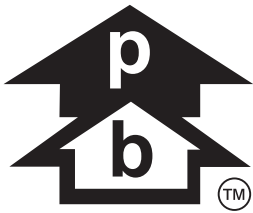
Red 485c / Green 348c / Reflex Blue / Brown 4625c / Gold 873c / Black / Silver

Standard print areas

Please allow for any handles and leave a margin around the bag



Many stocked carrier lines are available, including coloured carriers



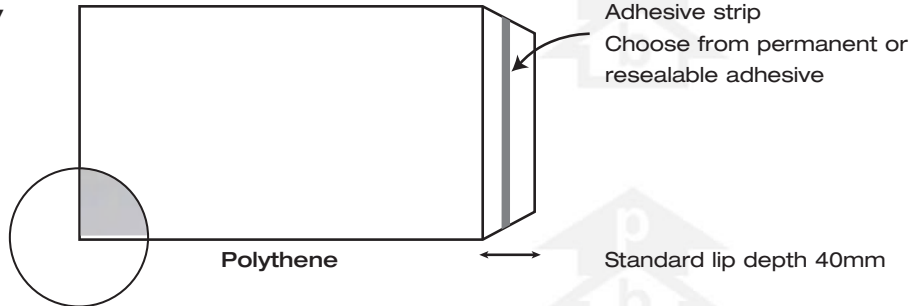
Polybags Limited

Lyon Way, Greenford,
Middlesex UB6 0AQ
t. 020 8575 8200
f. 020 8578 2247
www.polybags.co.uk

POLYBAGS MAILER PRODUCT SHEET

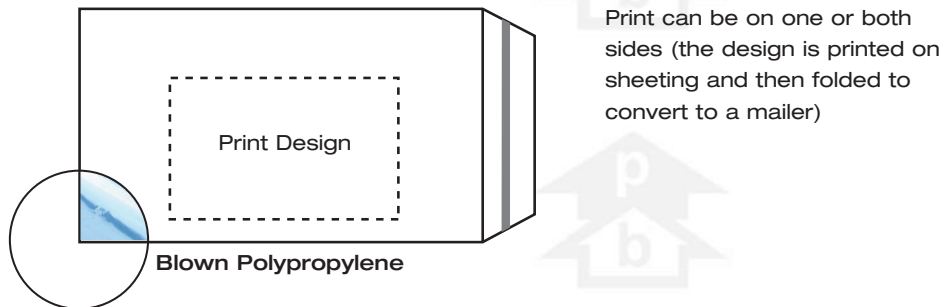
Standard Economy Film Mailer

- Clear, coloured or tinted
- Can add label or write directly on surface.



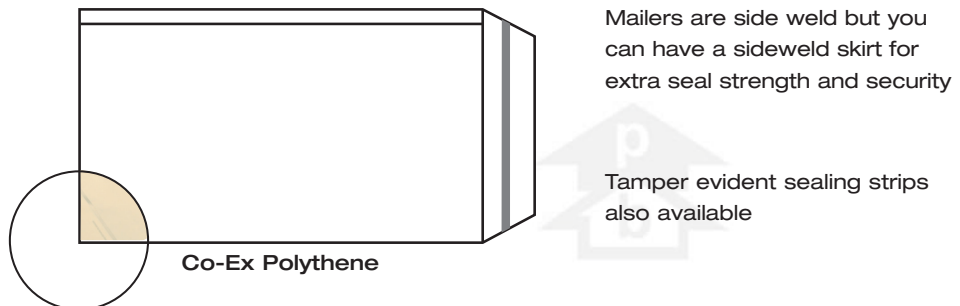
High Gloss Polypropylene

- For superior appearance



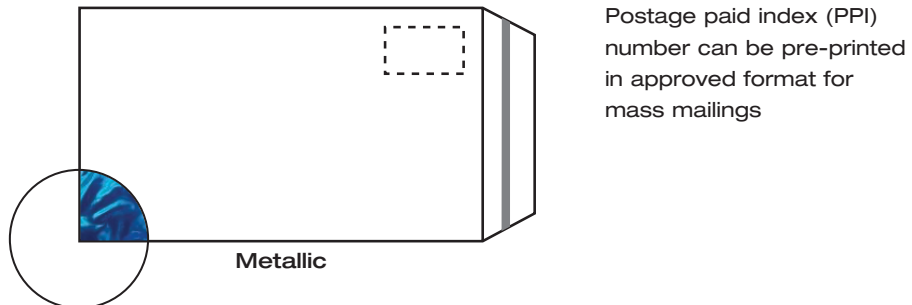
Co-Ex Polythene

- For superior strength
- Used for courier bags



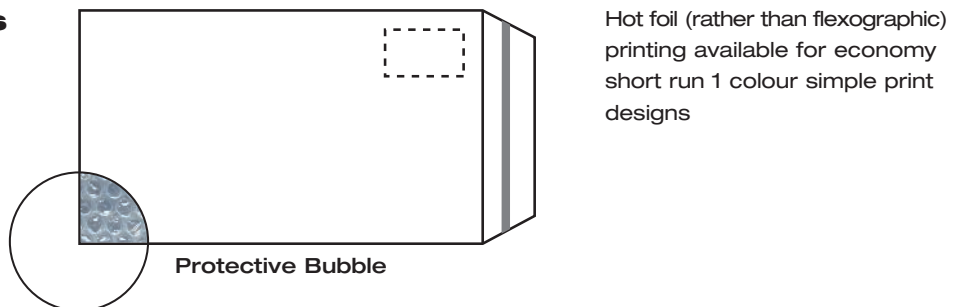
High Impact Metallic Film

- For promotional mailers



Bubble-lined mailers

- For protective mailing of items like CD's
- Waterproof with white or silver outer polythene cover



Many stocked lines are available in C3, C4, C5 sizes including clear and opaque mailers with or without address panels